

This installation guide is for installation instructions purposes only and are not meant or implied to replace local zoning and/or building codes or a licensed professional. The consumer assumes all risks and liability associated with the construction and use of this product.

Prior to installing composite decking,

1. Products need to be installed on clean flat solid surface.
2. Outdoor decking is required to installed onto the joists, to ensure there are enough spaces for drainage and aeration-drying.
3. If possible, please put the material in installation site about 72 hours for acclimation.

Install Joist

At first using percussive drill or electric hammer to drill hole on concrete ground along the length of the joist, every 400mm drill one hole for residential use (less than 400mm also drill one hole), every 300-350mm drill one hole for commercial/Marine use. As shown in the figure 1.

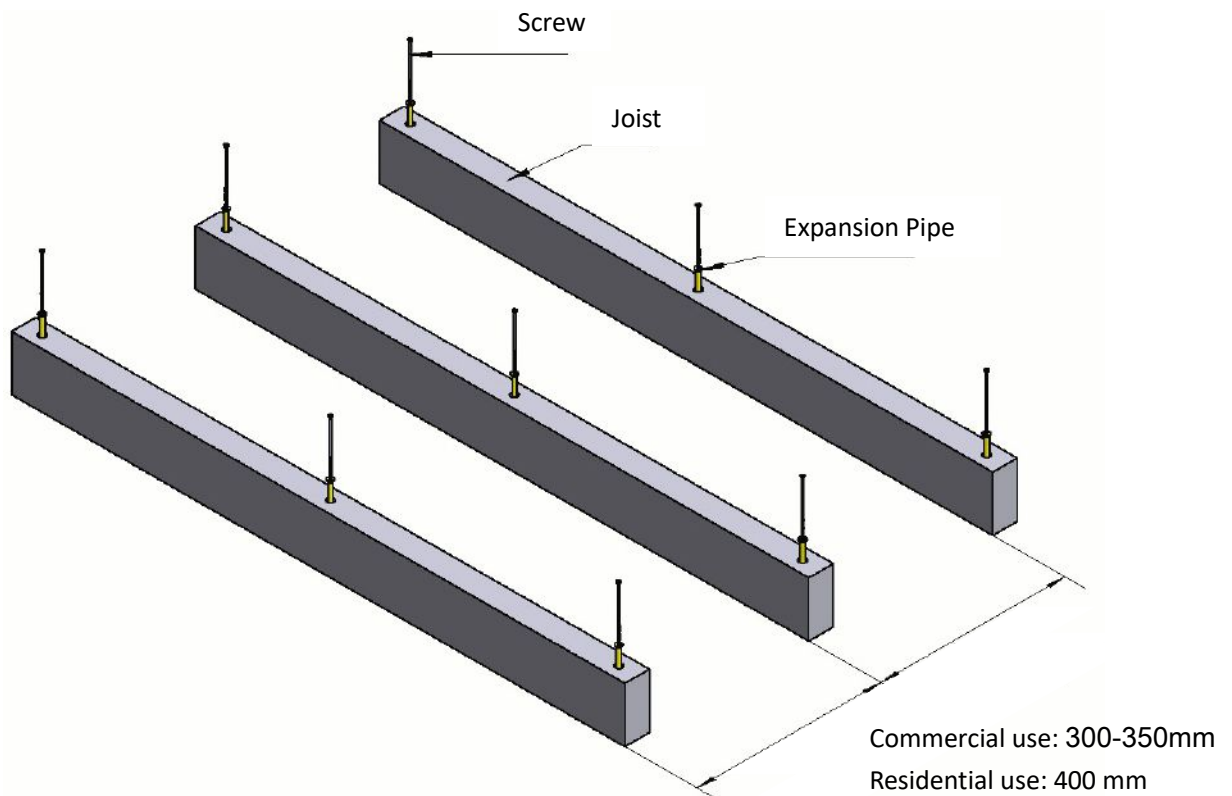


Figure 1

Install End Clips

1. Install the joists according to correct distance between centers of joists,

as shown in the figure 2, fixing ending clips by screws after pre-drilling holes.

2. As shown in the figure 3, insert the edge decking board into the clips slot.

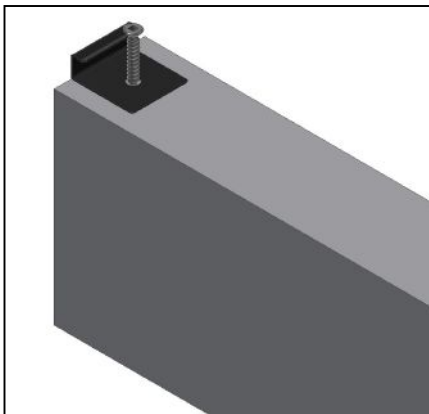


Figure 2

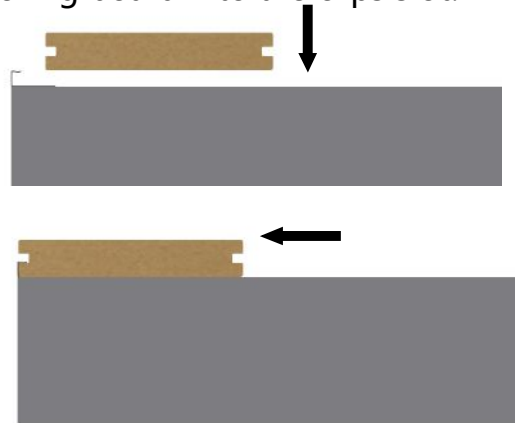
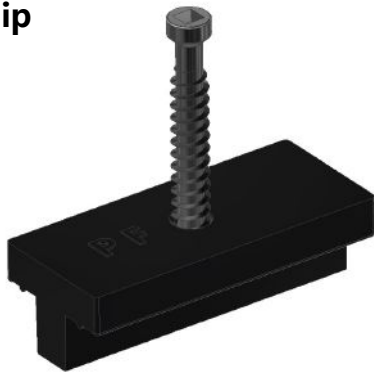


Figure 3

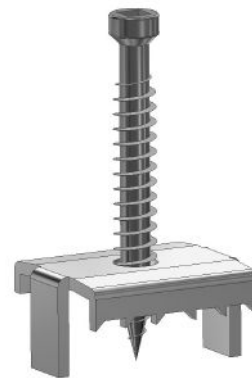
Install Deck

Method 1:

Aluminum/Plastic clip and Locking clip



Aluminum/Plastic Clip



Locking Clip

As shown in the Figure 4, put the boards in position.

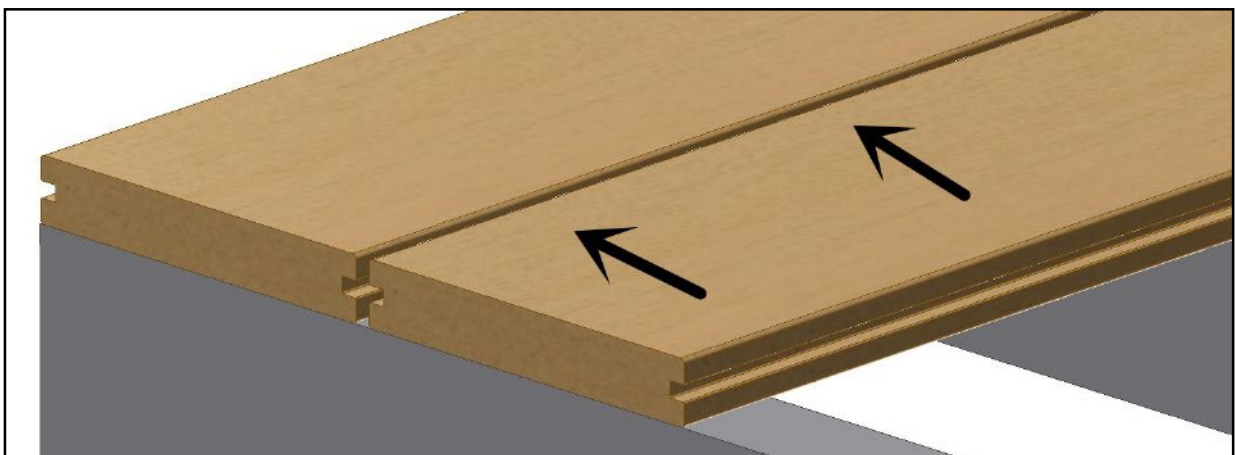


Figure 4

2. As shown in the Figure5, slide the clips in along the groove.

Attn: Each board only requires one locking clip in the middle.

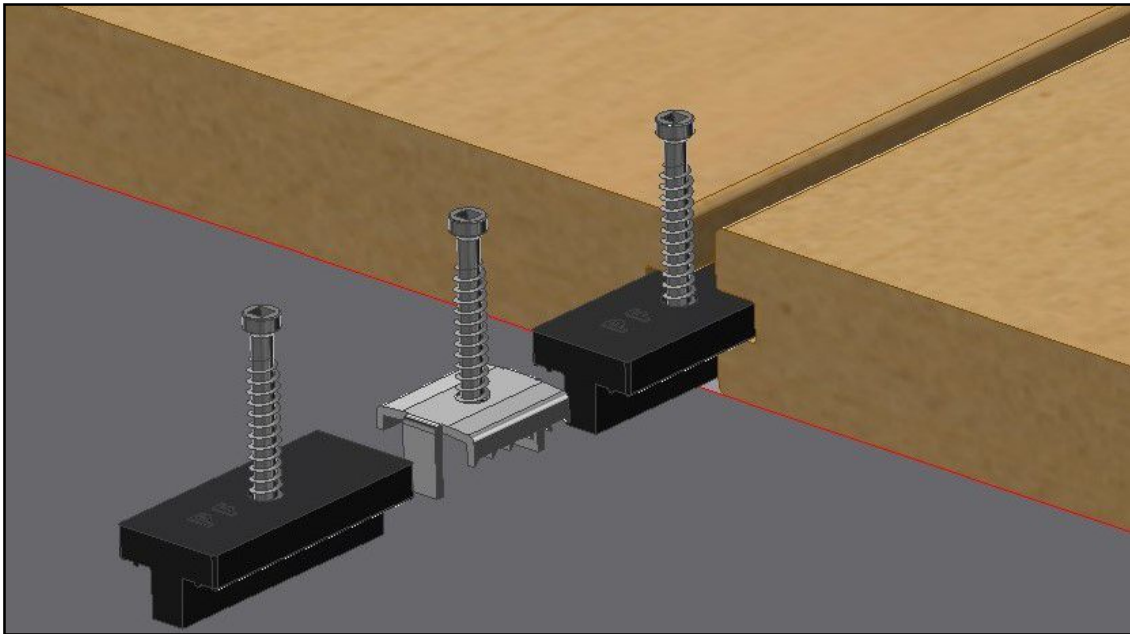


Figure 5

3. As shown in the Figure 6, pre-drill the joist and fix all the clips with screws.

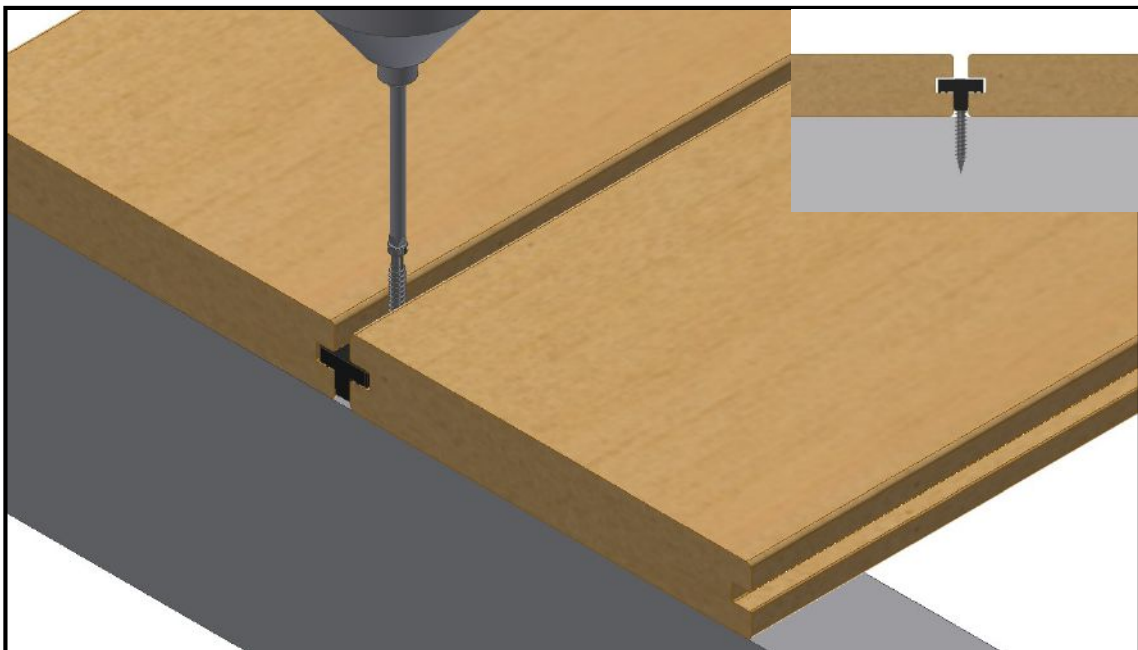
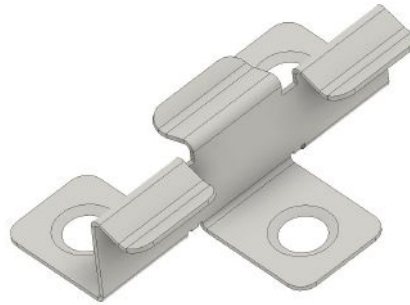


Figure 6

4. Repeat Step 1-3.

**Method 2:
Stainless Steel Clip**



MF-1

1. As shown in the Figure 7, put the steel clips in place.

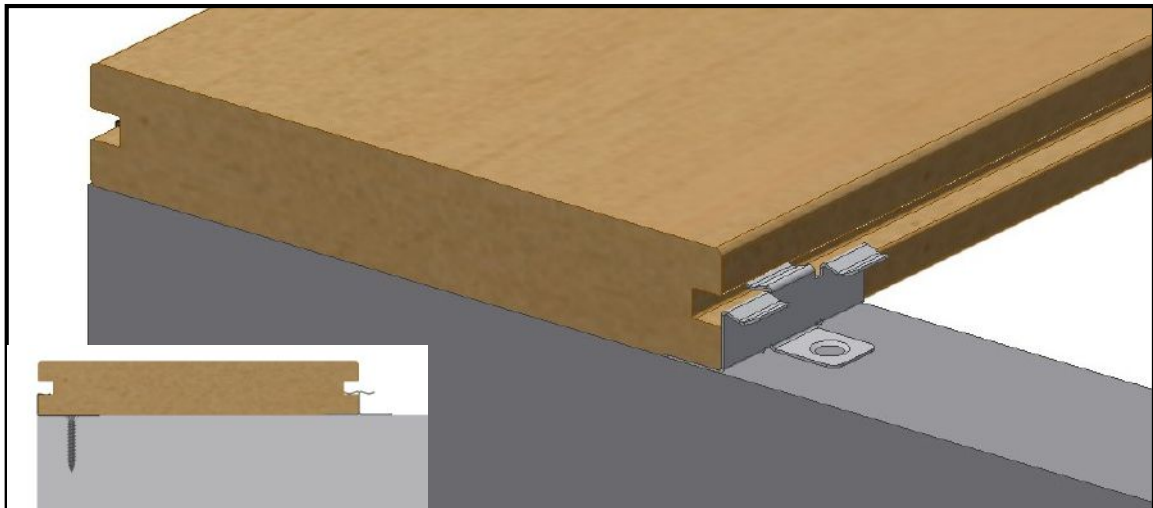


Figure 7

2. As shown in the Figure 8 and 9, pre-drill the joist, then fix the clips with screws.

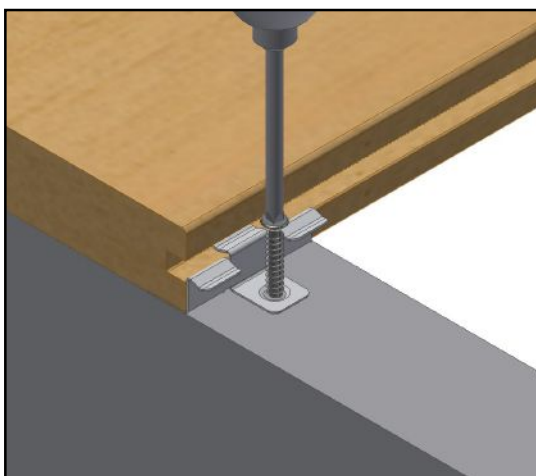


Figure 8

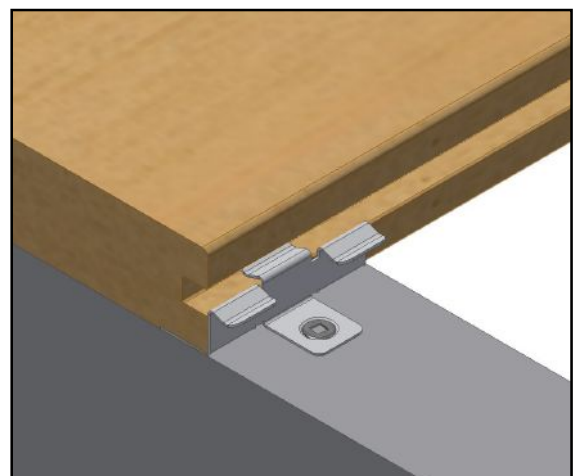


Figure 9

3. As shown in the Figure 10, push the next board into position.

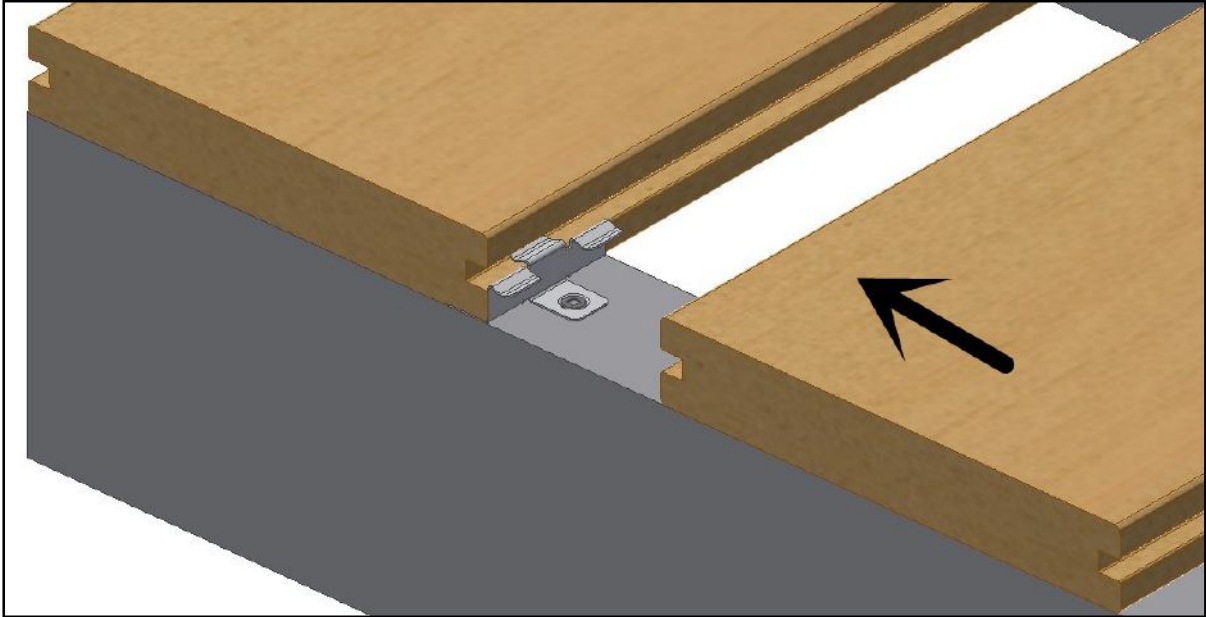


Figure 10

4. Repeat Step 1-3.

Install Skirting Profile

As shown in the Figure 11 and 12, pre-drill the skirting board according to the actual joist span, then fix it with screws.



Figure 11



Figure 12

Notes

1. As shown in the figure 15, when installing against a wall or any obstacle, gap should be $\geq 10\text{mm}$.

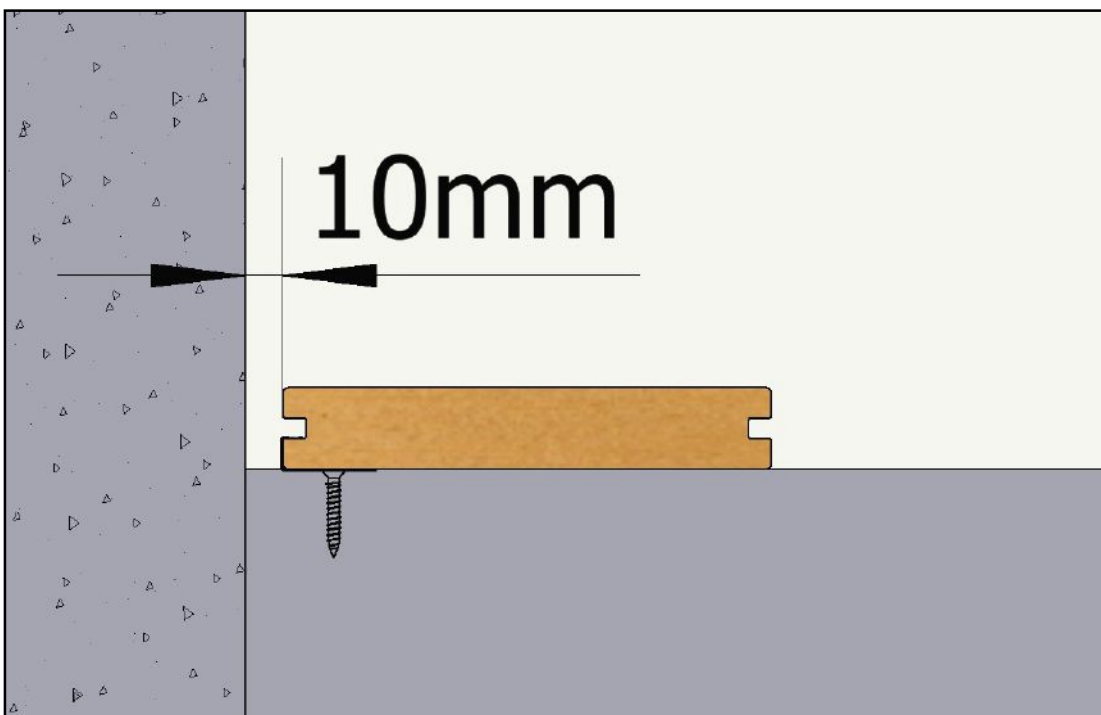


Figure 15

2. As shown in the figure 16, 2 joists is necessary when installing the end of decking, gap between 2 joists should be $\geq 20\text{mm}$. And gap between 2 ends of decking should be $\geq 6\text{mm}$ for decking length $\geq 2\text{m}$. This is important for fast-draining and keep dry that could avoid expansion caused by long term immersion.

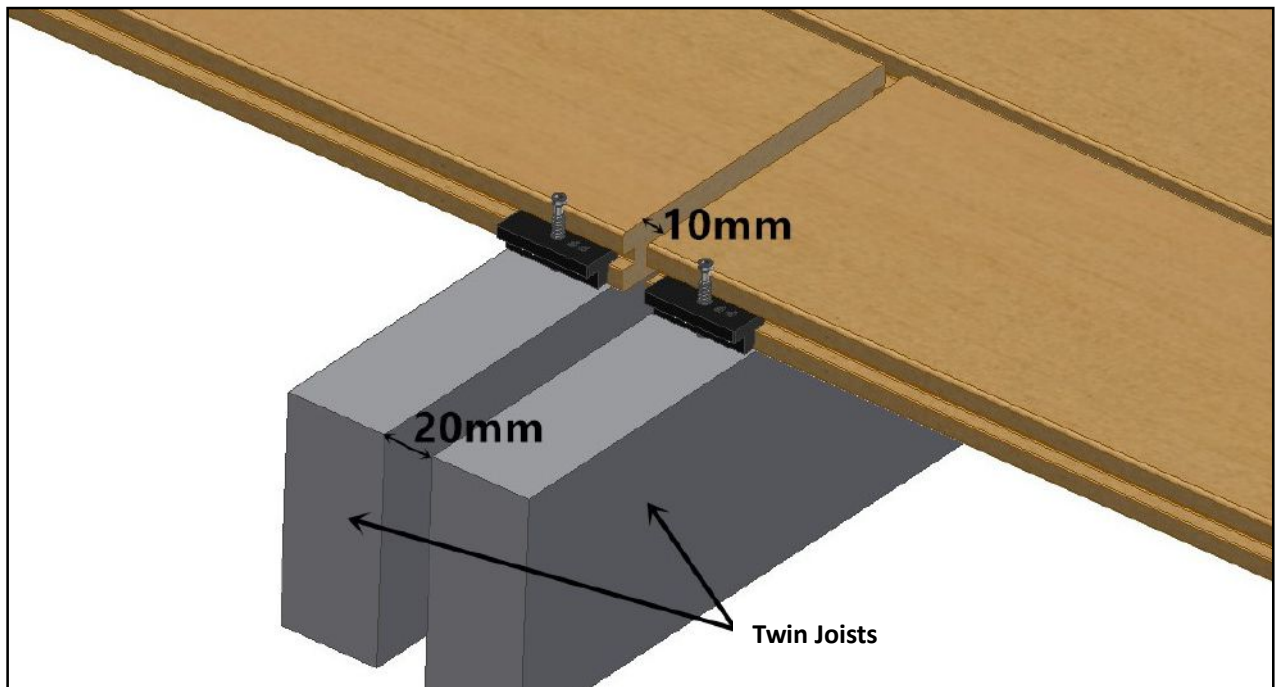
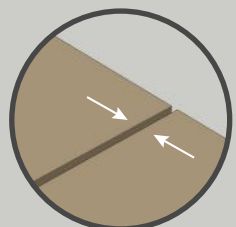
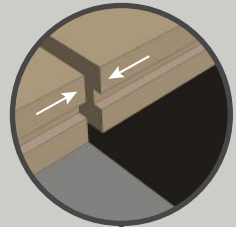


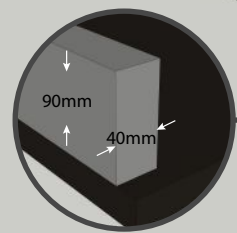
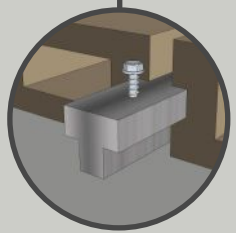
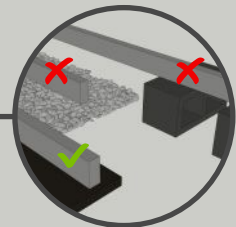
Figure 16



5mm (All Temps)



Please refer to Temp Table



Residential = 400mm
Commercial/ Marine = 350mm

